

Play value

The Platforms are well suited as centre of a small play installation. Through the versatile attachment offers, above all attractive activity equipment such as slide, inclined wall, climbing trunk or firemen's pole, many children can play at the same time; this is important, for instance, on school playgrounds.



Order No. L3.25300 Triangular Platform, height 1.50 m



Order No. L3.25500 Triangular Platform, height 2.00 m



Order No. L3.25500 Triangular Platform, height 2.00 m, with add-on elements (not included in the components)

Fundamental characteristics

- Versatile activity offers
- Sturdy meeting point
- Incentive for playing: climbing up, enjoying the view
- Movement: climbing

Recommended for

- Kindergarten children (only for platform 1.00 m)
- School children
- Supervised play areas, such as kindergartens, schools after-school programmes or similar
- Public play areas without supervision, such as playgrounds, parks or similar

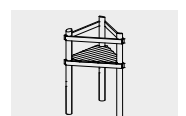
Triangular Platforms



L3.25101

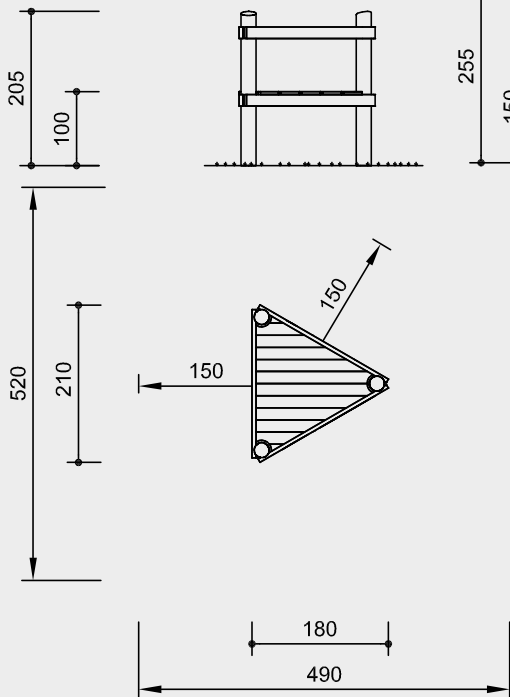


L3.25300

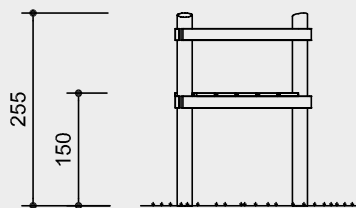


L3.25500

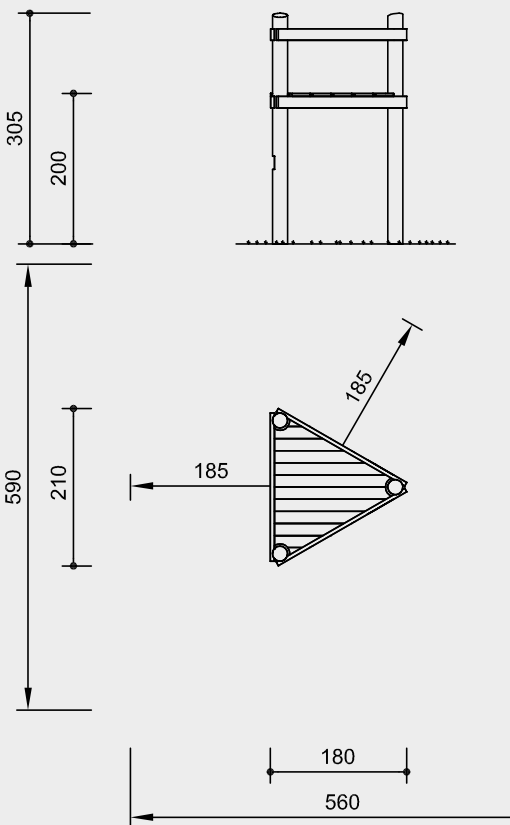
**Order No. L3.25101
Triangular Platform**



**Order No. L3.25300
Triangular Platform**



**Order No. L3.25500
Triangular Platform**



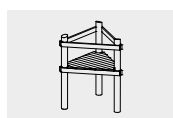
Safety distance ———→
 Device dimensions ———●
 Functional distance ———|

Scale 1:100

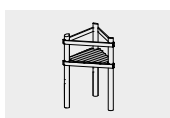
Safety check according to DIN EN 1176



L3.25101



L3.25300



L3.25500

Technical information

Equipment made of non-impregnated mountain larch

Peeled white

Palisades peeled white means that bark, cambium and sapwood are removed, the natural shape of the trunk is preserved and can be experienced



Bevel cut

Vertical stand posts with bevelled end grain section as constructive wood preservation measure



Core-free

Sawn-timbers core-free, thus decreasing occurrences of cracking and undesired changes in shape



Tongue and groove

Tongue and groove planks made of 4 cm solid wood, highly resilient, no trickling of dust / sand, protection against direct rain



Ground anchor

All parts used for anchoring to the ground are made of hot-dip galvanised steel or stainless steel



For more detailed explanation of the quality characteristics see price list.

Dimensions

(small deviations possible)

Order No. L3.25101

Height	2.05 m
Floor height	1.00 m
Side length	2.10 m
Side width	1.80 m
Weight	220 kg

Order No. L3.25300

Height	2.55 m
Floor height	1.50 m
Side length	2.10 m
Side width	1.80 m
Weight	270 kg

Order No. L3.25500

Height	3.05 m
Floor height	2.00 m
Side length	2.10 m
Side width	1.80 m
Weight	320 kg

Components

- 1 Triangular Platform with steel feet

Installation information

Surfacing requirements corresponding to a fall height of ≤ 2.00 m (please refer to price list for more detailed information)

Foundations
 3 items 60 x 60 x 60 cm
 Excavation depth 80 cm

Attention:
Exact measurements may vary;
for all installation dimensions refer to current assembly instructions.
 Technical changes reserved.