

Play value

This disc is an example of play equipment which captivates children in its own very special way. It is, on one hand, set in motion by children running towards the raised side of the disc according to the intended function, whereas the „fellow riders“ experience very significantly the effects of centrifugal force. Those who cannot hold on to the disc, simply slide off; stronger and more skilled children remain on the disc despite the high speed - a natural selection without any risk.



© Richter Spielgeräte GmbH 11/22

Giant Revolving Disc

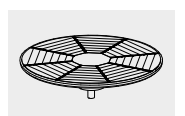
The other type of use is in form of a meeting point for young people. While sitting on the gently rotating disc, they hold discussions and seek each other's company.

Fundamental characteristics

- Agreeable design, green funnel, wooden floor with 8 sections
- Wooden surface for pleasant tactile experience
- Large diameter requires highly developed turning mechanism
- Incentive for playing: big disc, design
- Movement: physical power, turning, balancing, running

Recommended for

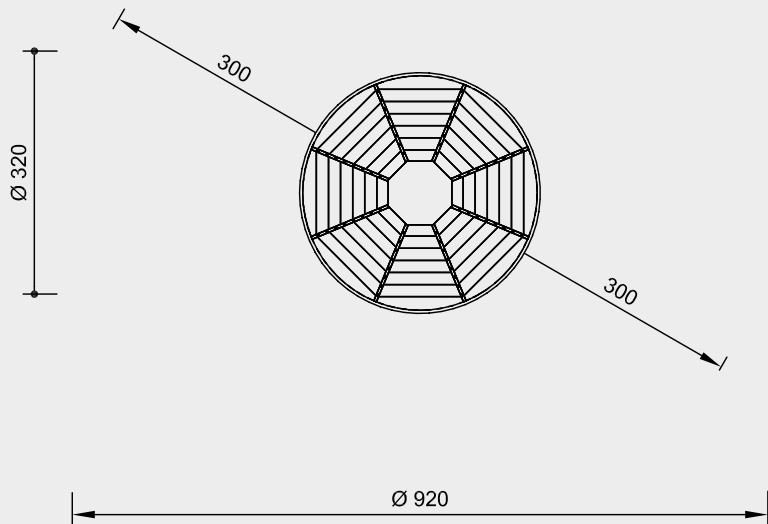
- School children
- Young people
- Public play areas without supervision, such as playgrounds, parks or similar
- Swimming pools without supervision, such as outdoor pool, adventure pools or similar



7.25000

Order No. 7.25000
Giant Revolving Disc

Safety distance →
 Device dimensions ●
 Functional distance —



Scale 1:100

Safety check according to DIN EN 1176

Components

- 1 Revolving disc completely mounted with funnel for protection
- 1 Foundation frame

Installation information

Surfacing requirements corresponding to a fall height of ≤ 1.00 m (please refer to price list for more detailed information)

Foundations
 1 item 100 x 100 x 70 cm
 Excavation depth 100 cm

Attention:
Exact measurements may vary;
for all installation dimensions refer to current assembly instructions.
 Technical changes reserved.

Technical information

Walking boards made of non-impregnated mountain larch

Core-free
 Sawn-timbers core-free, thus decreasing occurrences of cracking and undesired changes in shape



Tongue and groove
 Tongue and groove planks made of 4 cm solid wood, highly resilient, no trickling of dust / sand, protection against direct rain



Plywood
 Plywood made of mountain larch, three-layer (3 cm) or five-layer (4 cm). High dimensional stability, waterproof, glued according to DIN EN 13353:2011



Ground anchor
 All parts used for anchoring to the ground are made of hot-dip galvanised steel or stainless steel



Roller bearings
 High-quality roller bearings made of chrome steel or stainless steel for rotating elements, easy to maintain and exchange, sealed



For more detailed explanation of the quality characteristics see price list.

Upper surface without protruding elements

Outer ring made of stainless steel, glass bead blasted

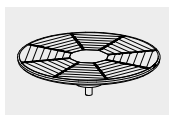
Dish made of fibreglass-strengthened polyester worked on in open form during the fibre-spraying process; extremely colourfast and resistant to UV rays and frost; base completely smooth, therefore no additional protection required

Sturdy, welded substructure with oversize bearing

Foundation frame made of steel

Dimensions
 (small deviations possible)

Height	0.90 m
Diameter	3.20 m
Weight	670 kg



7.25000