



**Play value**

The Bouncing Flower is a movement possibility which is great fun, especially when used by several participants. It is easy to enjoy whether jumping and hopping in the same rhythm or even against the rhythm of one's neighbour. The mobile "petals" on the jumping flower are fixed by means of hinges to the centre. Each "petal" can bounce up and down thanks to springs.

**Fundamental characteristics**

- Unique and original
- Agreeable design
- Wooden surface with natural structure for a good grip
- Incentive for playing: "petals", springs
- Movement: jumping up and down, jumping off, hopping

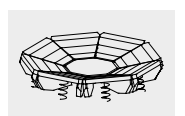
**Recommended for**

- Kindergarten children
- School children
- Public play areas without supervision, such as playgrounds, parks or similar



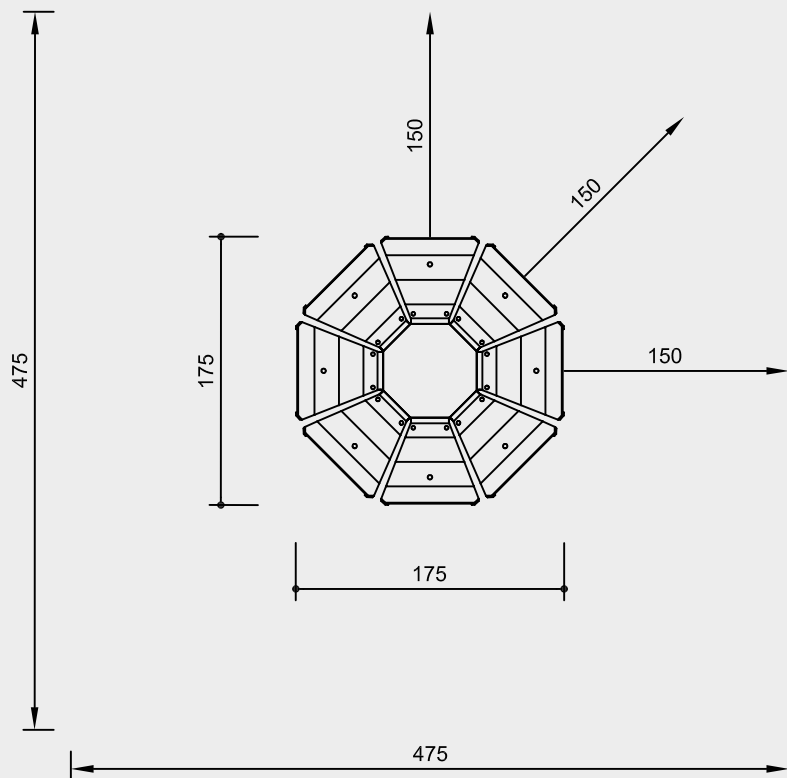
Photo © Daniel Perales

**Bouncing Flower**



**Order No. 6.06500**  
**Bouncing Flower**

Safety distance   
 Device dimensions   
 Functional distance 



Scale 1:50

Safety check according to DIN EN 1176

**Components**

- 1 Equipment item with 8 segments mounted on springs
- 1 Foundation frame

**Installation information**

Surfacing requirements corresponding to a fall height of  $\leq 0,60$  m (please refer to price list for more detailed information)

Foundations  
 foundation frame for 8 foundations  
 30 x 30 x 40 cm each  
 Excavation depth 50 cm

**Attention:**  
**Exact measurements may vary;**  
**for all installation dimensions refer to current assembly instructions.**  
 Technical changes reserved.

**Technical information**

Equipment made of non-impregnated mountain larch

**Core-free**

Sawn-timbers core-free, thus decreasing occurrences of cracking and undesired changes in shape



**Tongue and groove**

Tongue and groove planks made of 4 cm solid wood, highly resilient, no trickling of dust / sand, protection against direct rain



**Sintered bush**

For all reciprocating movements we use sintered plain bearings which are self-lubricating in use and can easily be exchanged if necessary



**Ground anchor**

All parts used for anchoring to the ground are made of hot-dip galvanised steel or stainless steel



**For more detailed explanation of the quality characteristics see price list.**

Coated springs,  
 Standard colour red

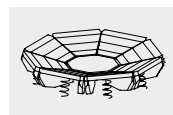
Centre plate of fluted metal sheet,  
 hot-dip galvanised

Supporting frame hot-dip galvanised

**Dimensions**

(small deviations possible)

Height	0.25 m
Diameter	1.75 m
Weight	260 kg



6.06500