



Order No. 5.42010 Water Scoop



Order No. 5.20880 Scooping Wheel, Photo © Daniel Perales

**Scooping Wheel
Water Scoop**

Play value

This equipment is a nicely shaped water scoop where children can play and observe the flowing characteristics of water. When the wheel is turned around, water is drawn from the basin. The water then pours into the channels on both sides. It is directed by the channels into the flow dish and is redirected from there into the basin through a water outlet pipe. The water quantity coming into the channels varies with relation to the rotating speed of the wheel. The water can, for example, flow from both sides into the dish so that a constantly changing flow configuration results.

Fundamental characteristics

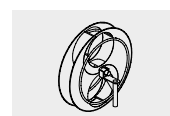
- Special technical solution for water intake and distribution
- Awarded design
- Through water flow from both sides, special flow configurations can be observed
- The Scooping Wheel can also be combined with other water play systems
- Unique and original
- Incentive for playing: big wheel

Recommended for

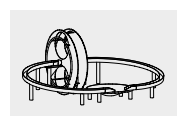
- Kindergarten children
- School children
- Public play areas without supervision, such as playgrounds, parks or similar
- Swimming pools without supervision, such as outdoor pools, adventure pools or similar

Barrier-free

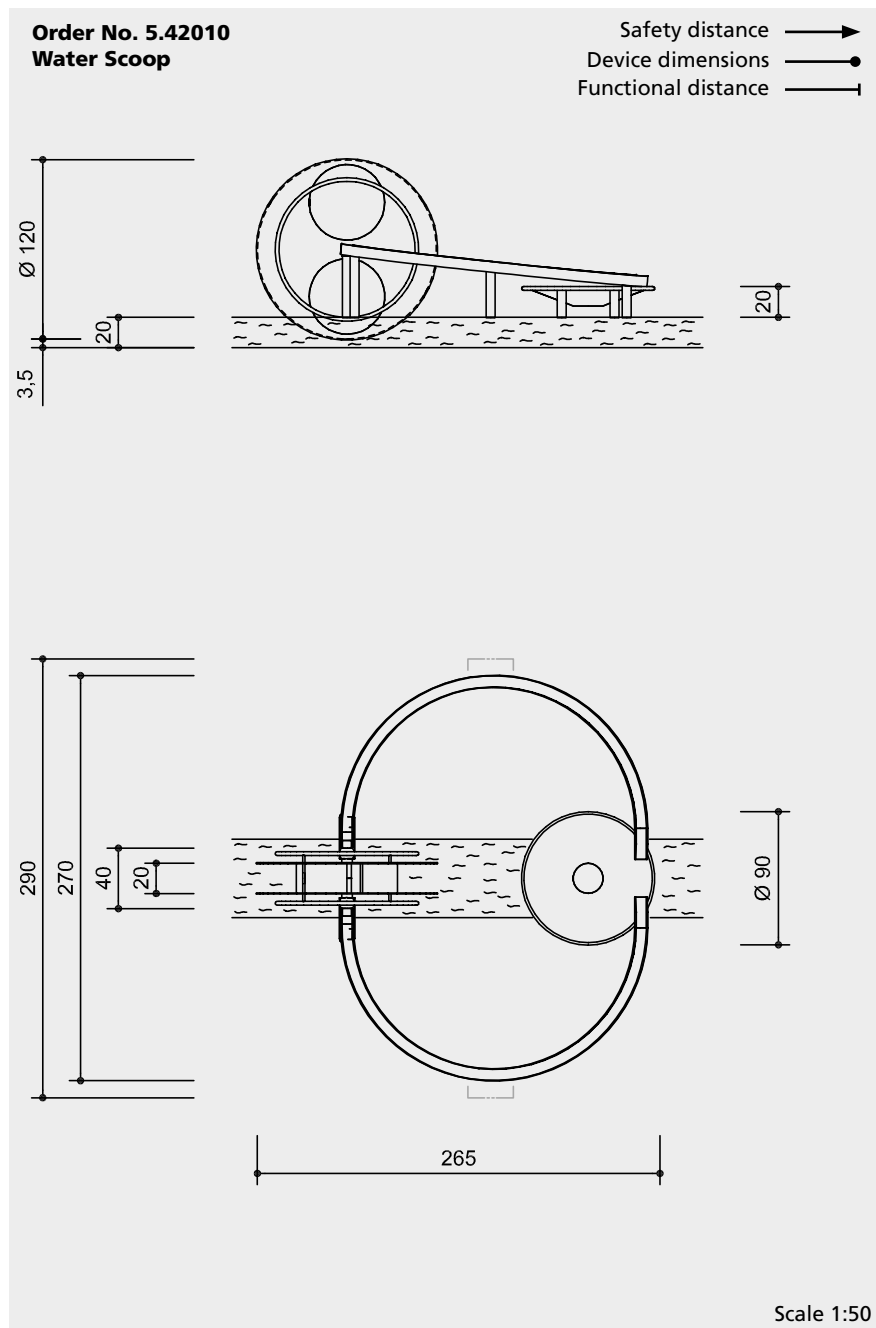
- Independent play



5.20880



5.42010



Technical information

Equipment made of stainless steel, glass bead blasted

Easy drive in maintenance free plastic bearings

Grip-friendly rim

Dimensions

(small deviations possible)

Order No. 5.20880

Scooping Wheel

Diameter 1.20 m
Weight 70 kg

Order No. 5.42010

Water Scoop

Height 1.20 m
Length 2.65 m
Width 2.70 m
Weight 130 kg
Flow Dish
Diameter 0.90 m
Height 0.20 m
Distance between Scooping Wheel and Channel bottom 0.035 m

Attention:

Exact measurements may vary; for all installation dimensions refer to current assembly instructions.

Technical changes reserved.

For use in aggressive environments such as salt or chlorine water, the equipment is also available in marine grade steel (V4A).

Safety check according to DIN EN 1176

Components

Order No. 5.20880

Scooping Wheel

- 1 Scooping Wheel with bearings and alternating water runoff
- 1 Rack

Order No. 5.42010

Water Scoop

- 1 Scooping Wheel with bearings and alternating water runoff
- 1 Rack
- 2 Water Channels
- 1 Flow Dish

Installation information

Surfacing requirements
no fall height according to standard

Recommendation:

- Pavement or a similar surface with a runoff for water
- Water depth: for a proper function a min. water depth of 20 cm is required.
- Water supply and water basin have to be provided for on site.

Foundations

Scooping Wheel

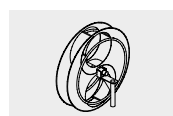
2 items 50 x 30 x 40 cm
Excavation depth 60 cm

Channels

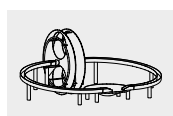
6 items 30 x 30 x 40 cm
Excavation depth 60 cm

Flow Dish

2 items 65 x 30 x 40 cm
Excavation depth 60 cm



5.20880



5.42010