

Play value

The child-friendly design of this vehicle immediately invites children to play. The Little Speedster is used for the first driving attempts. The simple shapes are comfortable to hold onto and make it easy to climb in and out and move the steering wheel.



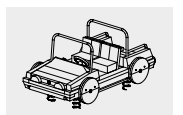
Fundamental characteristics

- Friendly appearance
- Child-oriented dimensions
- Emotionally appealing design
- Natural wooden surfaces that appeal to tactile senses
- Incentive for playing: role-playing games
- Movement: climbing, exploring by touch

Recommended for

- Children under 3 years
- Kindergarten children
- Supervised play areas, such as kindergartens, schools, after-school programmes or similar
- Public play areas without supervision, such as playgrounds, parks or similar
- Private play areas without supervision, such as camp sites or similar

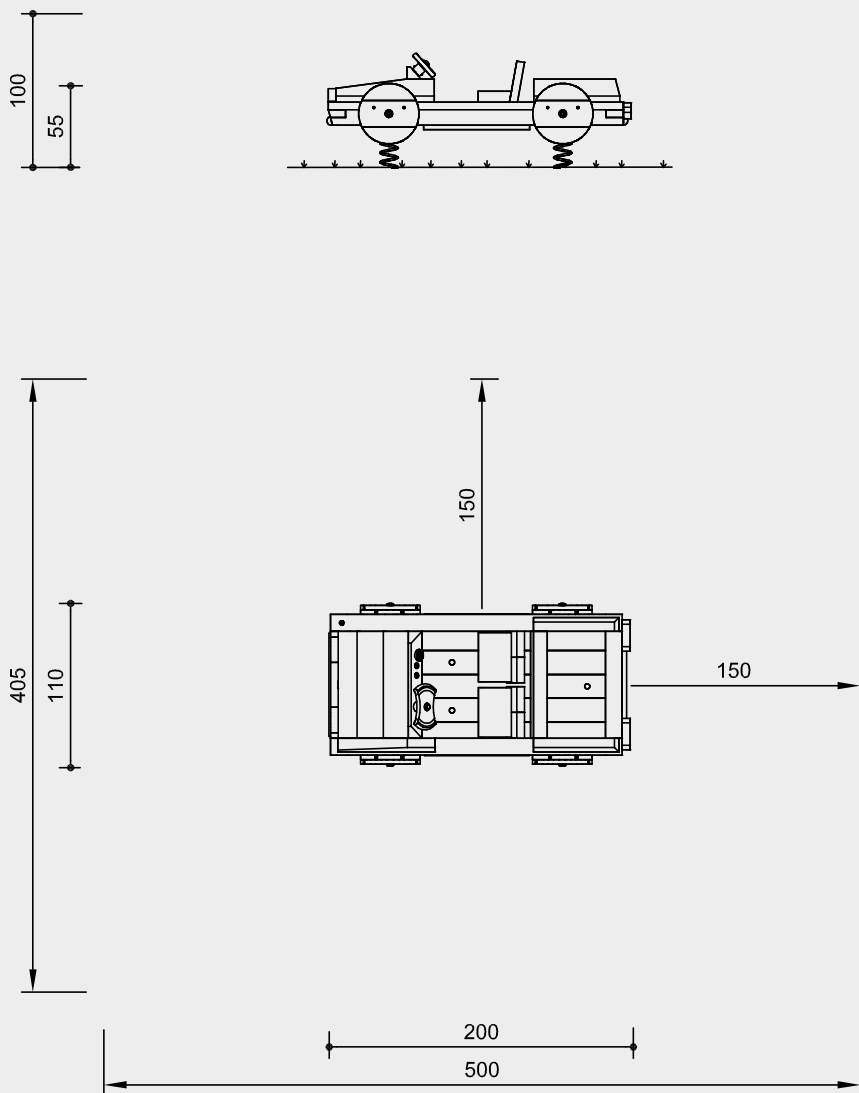
Little Speedster



4.23100

Order No. 4.23100
Little Speedster

Safety distance 
Device dimensions 
Functional distance 



Scale 1:50

Safety check according to DIN EN 1176

Components

- 1 Little Speedster
- 2 Axles with springs and Foundation Anchors

Installation information

Surfacing requirements corresponding to a fall height of ≤ 0.60 m (please refer to price list for more detailed information)

Foundations
2 items 40 x 90 x 25 cm
Excavation depth 30 cm

Attention:
Exact measurements may vary;
for all installation dimensions refer
to current assembly instructions.
Technical changes reserved.

Technical information

Equipment made of non-impregnated mountain larch

Core-free

Sawn-timbers core-free, thus decreasing occurrences of cracking and undesired changes in shape



Tongue and groove

Tongue and groove planks made of 4 cm solid wood, highly resilient, no trickling of dust / sand, protection against direct rain



Plywood

Plywood made of mountain larch, three-layer (3 cm) or five-layer (4 cm). High dimensional stability, waterproof, glued according to DIN EN 13353:2011



Profiled washer

Profiled washer for covering protruding screw heads according to standard, improved pressure distribution and protection against water. Impedes loosening the bolt



Ground anchor

All parts used for anchoring to the ground are made of hot-dip galvanised steel or stainless steel



For more detailed explanation of the quality characteristics see price list.

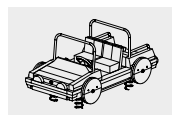
Powder coated springs,
Standard colour: red

Stainless steel roll bar

Dimensions

(small deviations possible)

Height	1.00 m
Length	2.00 m
Width	1.10 m
Weight	350 kg



4.23100