



**Play value**

The climbing pyramid, constructed from debarked round logs, attracts attention and interest even from a long distance away. Its popularity arises from the different levels, which encourage a whole range of different exercise and role-playing games. The individual bars can be climbed and explored, serving not only for experiencing height and for tactile experiences on hands and feet, but also as attractive seating for resting, observing and chatting.

The smaller version of our pyramid is particularly suitable for younger children, who can follow their natural drive for discovery and gain their first climbing experience here.

**Fundamental characteristics**

- Impressive design statement
- Very special appeal
- Eye-catcher of a play area
- Attractive meeting point
- Incentive for playing: curiosity, role-playing games, experiencing height
- Movement: climbing up

**Recommended for**

- Kindergarten children
- School children
- Supervised play areas, such as kindergartens, schools, after-school programmes or similar
- Public play areas without supervision, such as playgrounds, parks, leisure parks or similar

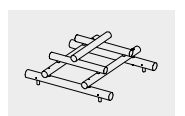


**Small Climbing Pyramid**



© Richter Spielgeräte GmbH 06/22

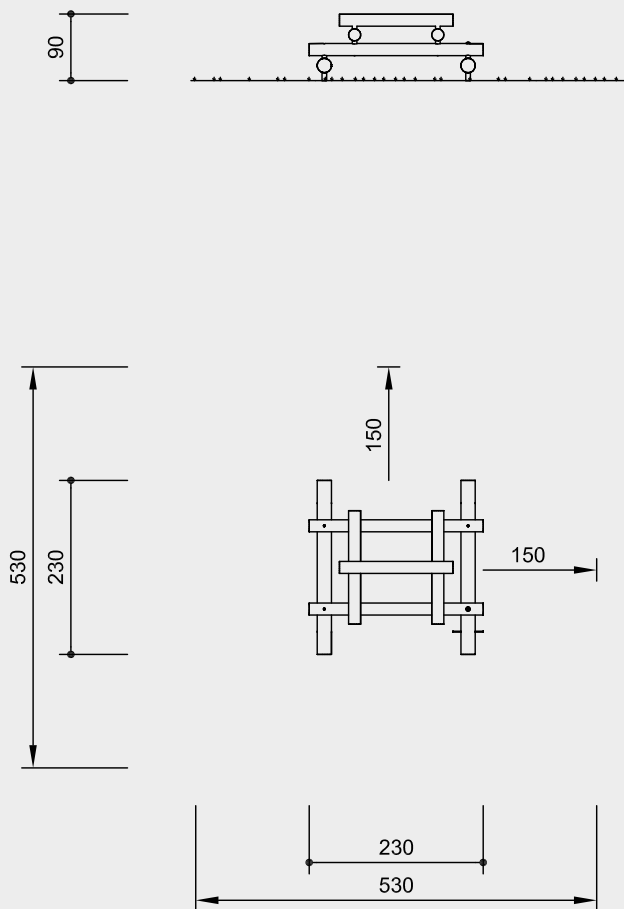
Design F. Dorband / K. H. Thiele



**4.21110**

**Order No. 4.21110**  
**Small Climbing Pyramid**

Safety distance   
 Device dimensions   
 Functional distance 



Scale 1:100

Safety check according to DIN EN 1176

**Components**

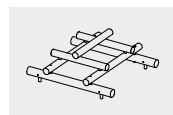
7 Round logs  
 with 4 steel feet

**Installation information**

Surfacing requirements  
 corresponding to a fall height of  $\leq 1.00$  m  
 (please refer to price list for more  
 detailed information)

Foundations each  
 4 items 50 x 50 x 50 cm  
 Excavation depth 70 cm

**Attention:**  
**Exact measurements may vary;**  
**for all installation dimensions refer**  
**to current assembly instructions.**  
 Technical changes reserved.



4.21110

**Technical information**

Equipment made of non-impregnated  
 mountain larch

**Peeled white**

Palisades peeled white means that bark,  
 cambium and sapwood are removed,  
 the natural shape of the trunk is  
 preserved and can be experienced



**Profiled washer**

Profiled washer for covering protruding  
 screw heads according to standard,  
 improved pressure distribution and  
 protection against water. Impedes  
 loosening the bolt



**Adjustable**

Adjustable two-piece bolt connection,  
 easy to maintain,  
 no projecting threads



**Ground anchor**

All parts used for anchoring to the  
 ground are made of hot-dip galvanised  
 steel or stainless steel



**Relief cut**

Targeted relief cut as an effective mea-  
 sure against cracks caused by drying.  
 The cut defines the position of the stress  
 equalization in the trunk and minimises  
 natural cracking



**For more detailed explanation of the  
 quality characteristics see price list.**

**Dimensions**

(small deviations possible)

Height	0.90 m
Length	2.30 m
Width	2.30 m
Weight	250 kg