


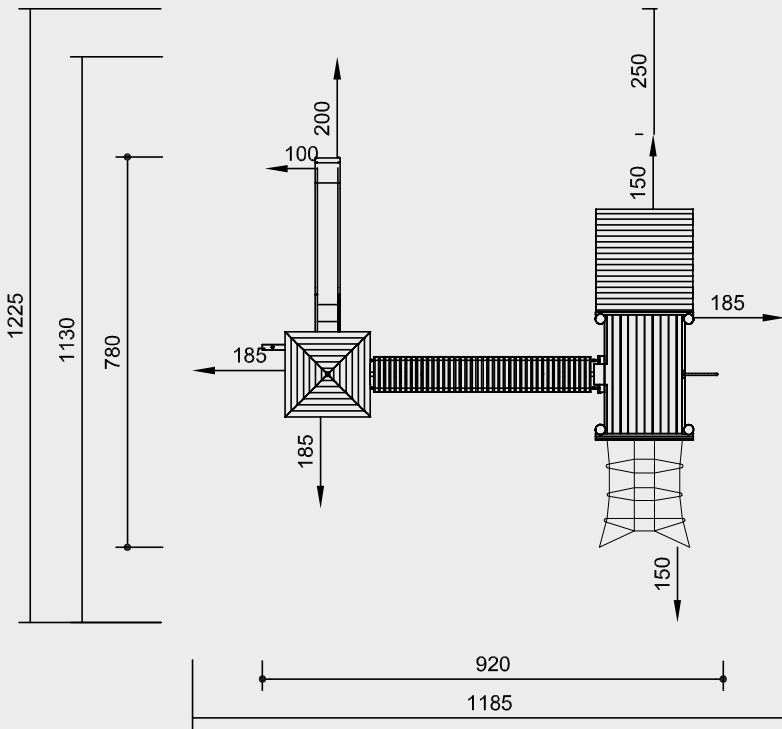


Order No. L2.60000
Tower Combination 60 made of larch

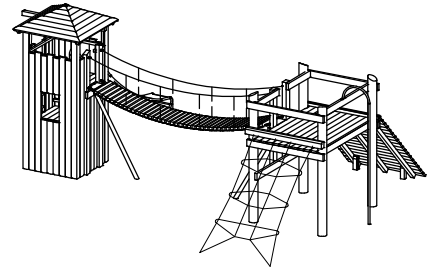
Safety distance 
 Device dimensions 
 Functional distance 



Scale 1:150

Safety check according to DIN EN 1176

Order No. L2.60000
Tower Combination 60 made of larch



Components

Order No.

1 Platform height 2.00 m with steel feet	L3.26500
1 Bent Firemen's Pole made of stainless steel	3.69464
1 Inclined Climbing Net	3.69180
1 Inclined Wall with steel feet	3.67499
1 Support Frame for Suspension Bridge	3.66065
1 Running Boards for Suspension Bridge 5.00 m	3.66110
1 Support Frame for Suspension Bridge	3.66085
1 Square Tower with roof with steel feet	L3.20600
1 Climbing Rope with beam	3.69453
1 Stainless Steel Slide	3.63420



L2.60000