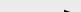

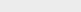
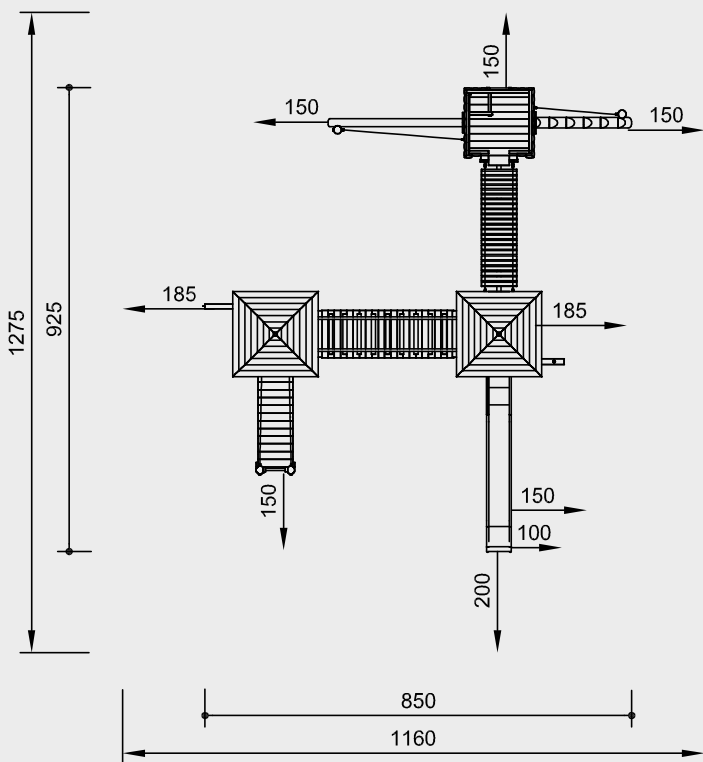


Order No. L2.54001
Tower Combination 54 made of larch

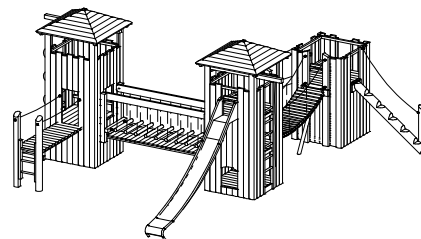
Safety distance 
 Device dimensions 
 Functional distance 



Scale 1:150

Safety check according to DIN EN 1176

Order No. L2.54001
Tower Combination 54 made of larch



Components	Order No.
1 Square Tower	L3.20500
1 Climbing Trunk with steel foot and Chain Handrail	3.69511
1 Inclined Balancing Beam with steel foot	3.68301
1 Support Frame for Suspension Bridge	3.66005
1 Support Frame for Suspension Bridge	3.66045
1 Running Boards for Suspension Bridge 3.00 m	3.66090
2 Square Towers with roof with steel feet	L3.20600
1 Rope Climbing Ladder with beam	3.69410
1 Climbing Rope with beam	3.69453
2 Support Frames for Chain Path	3.66240
1 Walkway for 3.00 m Chain Path	3.66260
1 Support Frame for Bridge	3.66350
1 Bridge 2.00 m with Chain Handrail	3.66420
1 End Frame for ramp with steel feet	3.66388
1 Stainless Steel Slide	3.63420

