

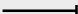
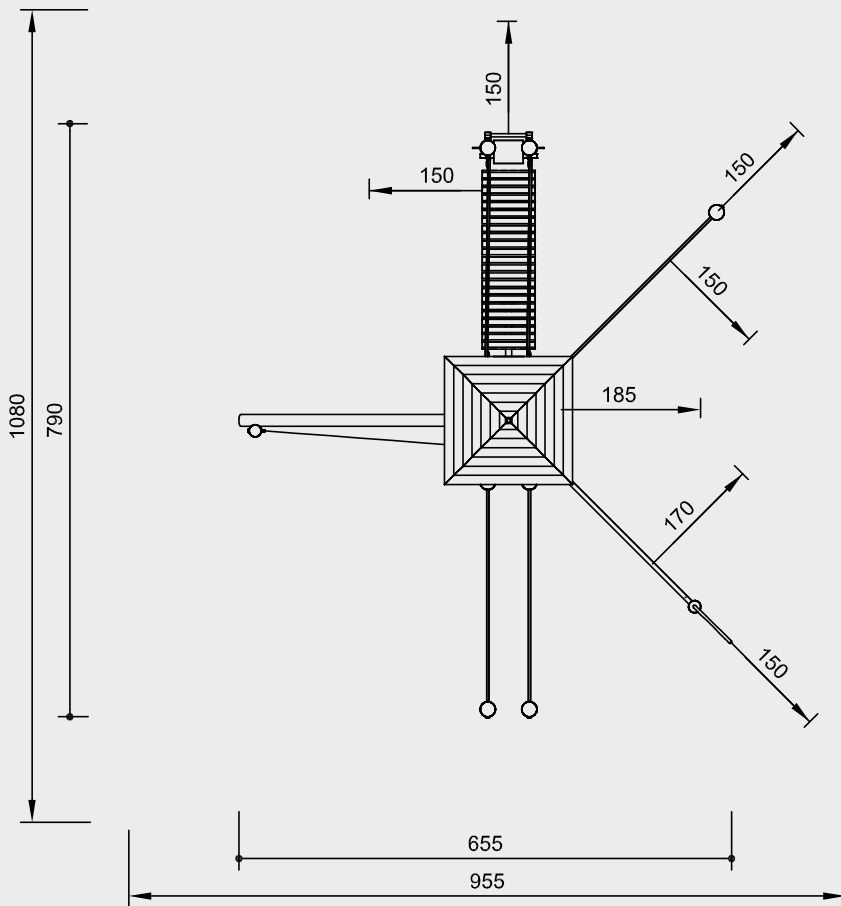


Order No. L2.33001
Tower Combination 33 made of larch

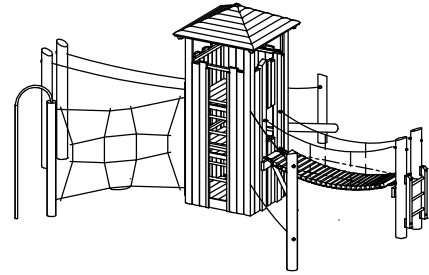
Safety distance 
 Device dimensions 
 Functional distance 



Scale 1:100

Safety check according to DIN EN 1176

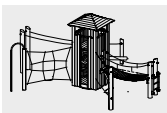
Order No. L2.33001
Tower Combination 33 made of larch



Components

Order No.

- | | |
|--|-----------------|
| 1 Square Tower with roof with steel feet | L3.20600 |
| 1 Support Frame for Suspension Bridge | 3.66005 |
| 1 Running boards for Suspension Bridge 3.00 m | 3.66090 |
| 1 End Frame with steel feet and ladder | L3.66030 |
| 1 Double Hanging Rope with steel feet | L3.68500 |
| 1 Inclined Balancing Beam with steel foot | 3.68301 |
| 1 Balancing Rope with steel foot and Holding Rope | L3.69010 |
| 1 Vertikal Climbing Net with steel foot and Fireman's Pole | L3.69350 |



L2.33001