


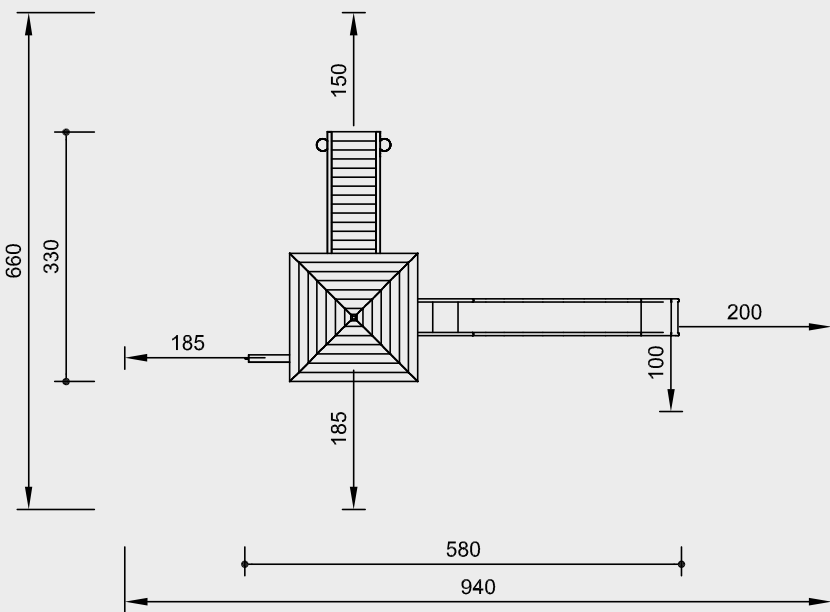
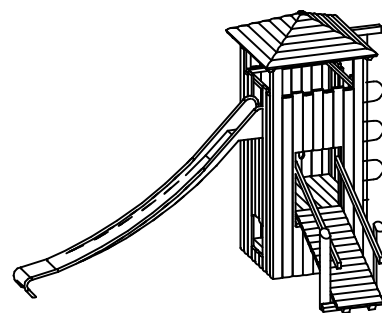


Order No. L2.30001
Tower Combination 30 made of larch

Safety distance 
 Device dimensions 
 Functional distance 



Order No. L2.30001
Tower Combination 30 made of larch



Components

Order No.

- | | |
|--|-----------------|
| 1 Square Tower with roof with steel feet | L3.20600 |
| 1 Climbing Ladder with beam | 3.69410 |
| 1 Support Frame for Bridge with beam | 3.66353 |
| 1 Bridge 2.00 m | 3.66425 |
| 1 End Frame for ramp with steel feet | 3.66411 |
| 1 Stainless Steel Slide | 3.63420 |

Scale 1:100

Safety check according to DIN EN 1176

