


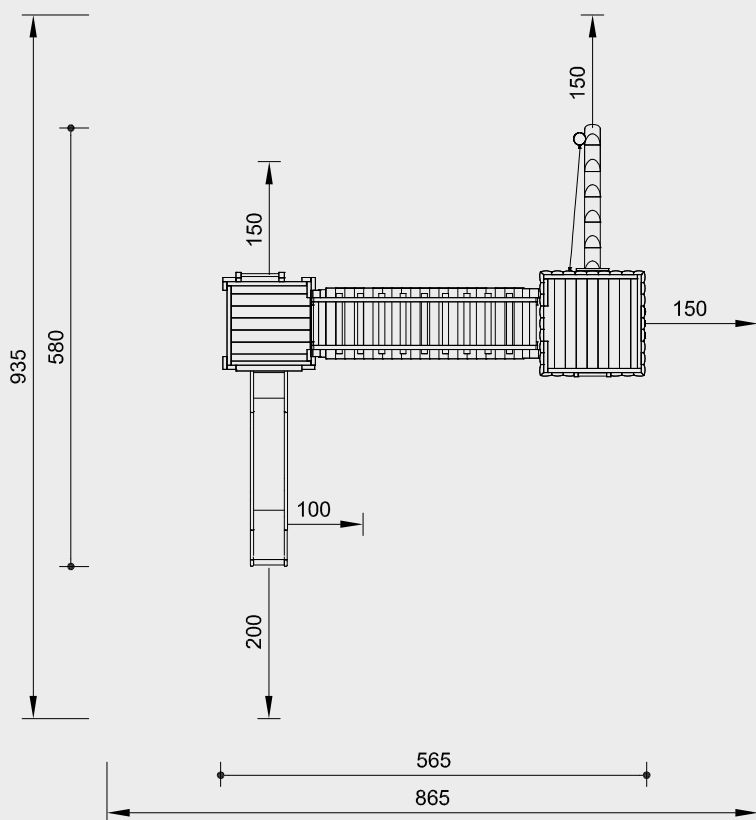


Order No. L2.18501
Tower Combination 185 made of larch

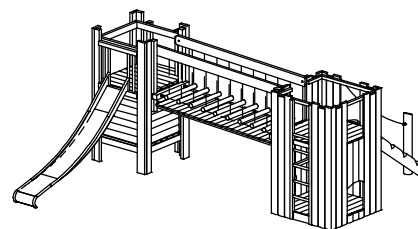
Safety distance 
 Device dimensions 
 Functional distance 



Scale 1:100

Safety check according to DIN EN 1176

Order No. L2.18501
Tower Combination 185 made of larch



Components	Order No.
1 Square Tower with steel feet	L3.20500
1 Support Frame for Chain Path for Square Towers	3.66240
1 Walkway for 3.00 m Chain Path	3.66260
1 Platform Hut with steel feet	3.13100
1 Support Frame for Chain Path for Huts	3.66290
1 Climbing Trunk with steel foot and Chain Handrail	3.69516
1 Stainless Steel Slide	3.19210

