

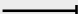
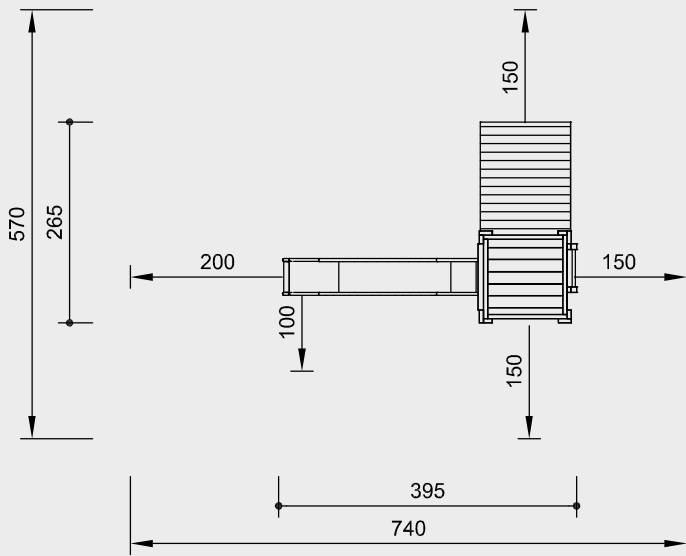
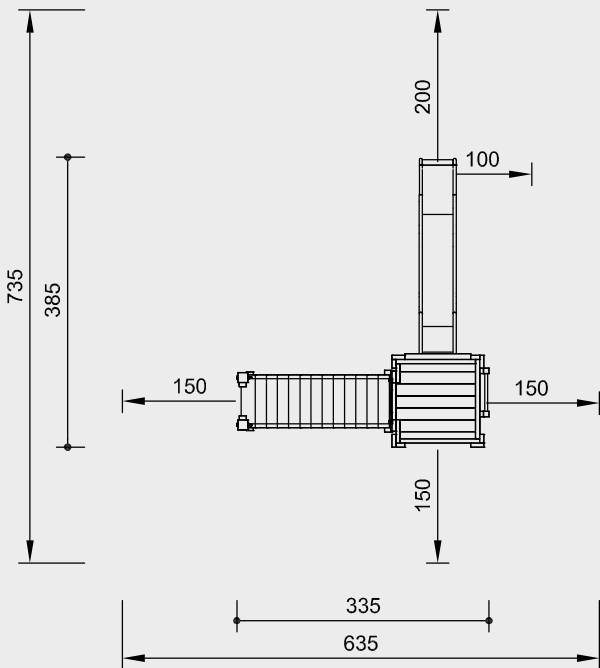


Order No. 2.12160
Hut combination 216

Safety distance 
 Device dimensions 
 Functional distance 



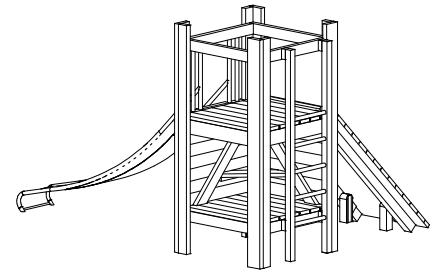
Order No. 2.12171
Hut combination 217



Scale 1:100

Safety check according to DIN EN 1176

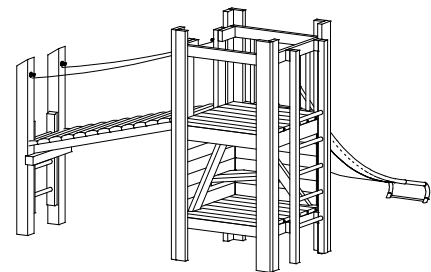
Order No. 2.12160
Hut combination 216



Components

- | | Order No. |
|---------------------------------|------------------|
| 1 Platform Hut with steel feet | 3.13100 |
| 1 Inclined Wall with steel feet | 3.67531 |
| 1 Stainless Steel Slide | 3.19210 |

Order No. 2.12171
Hut combination 217

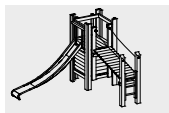


Components

- | | Order No. |
|---|------------------|
| 1 Platform Hut with steel feet | 3.13100 |
| 1 Stainless Steel Slide | 3.19210 |
| 1 Bridge 2.00 m | 3.66420 |
| 1 Support Frame for Bridge | 3.66360 |
| 1 End Frame for ramp with steel feet and ladder | 3.66382 |



2.12160



2.12171