


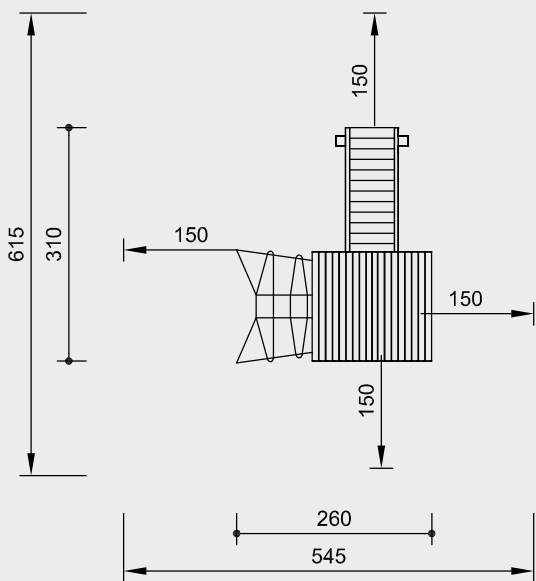
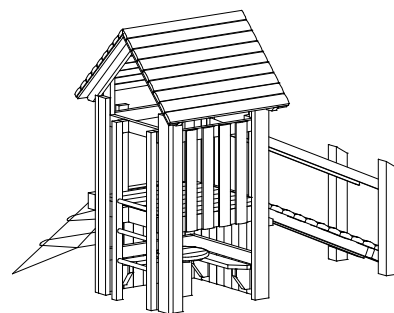


**Order No. 2.12141  
Hut combination 214**

Safety distance   
 Device dimensions   
 Functional distance 

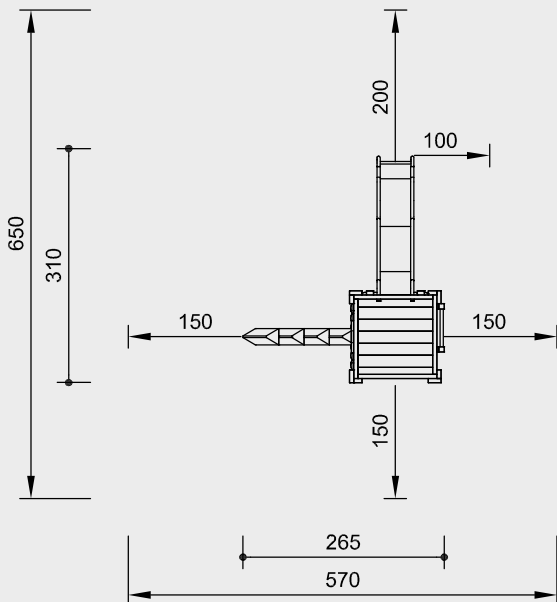


**Order No. 2.12141  
Hut combination 214**

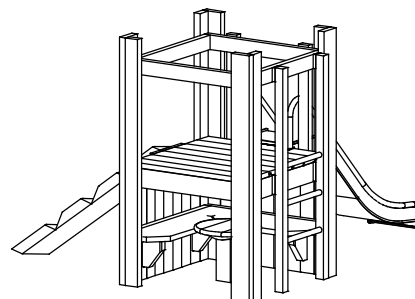


- | Components   | Order No.      |
|--|----------------|
| 1 Small Platform Hut with roof with steel feet, 2 walls, 2 benches and 1 table | <b>3.14350</b> |
| 1 Fall protection  | <b>3.13161</b> |
| 1 Inclined Climbing Net  | <b>3.69124</b> |
| 1 Bridge 2,00 m  | <b>3.66425</b> |
| 1 Support Frame for Bridge   | <b>3.66364</b> |
| 1 End Frame for ramps with steel feet  | <b>3.66416</b> |

**Order No. 2.12156  
Hut combination 2155  
with fittings**



**Order No. 2.12156  
Hut combination 2155  
with fittings**



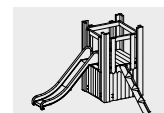
- | Components   | Order No.      |
|--|----------------|
| 1 Small Platform Hut with steel feet, 2 walls, 2 benches and 1 table | <b>3.14150</b> |
| 1 Climbing Trunk with steel foot                                     | <b>3.69506</b> |
| 1 Stainless Steel Slide  | <b>3.19220</b> |

Scale 1:100

Safety check according to DIN EN 1176



**2.12141**



**2.12156**