

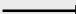
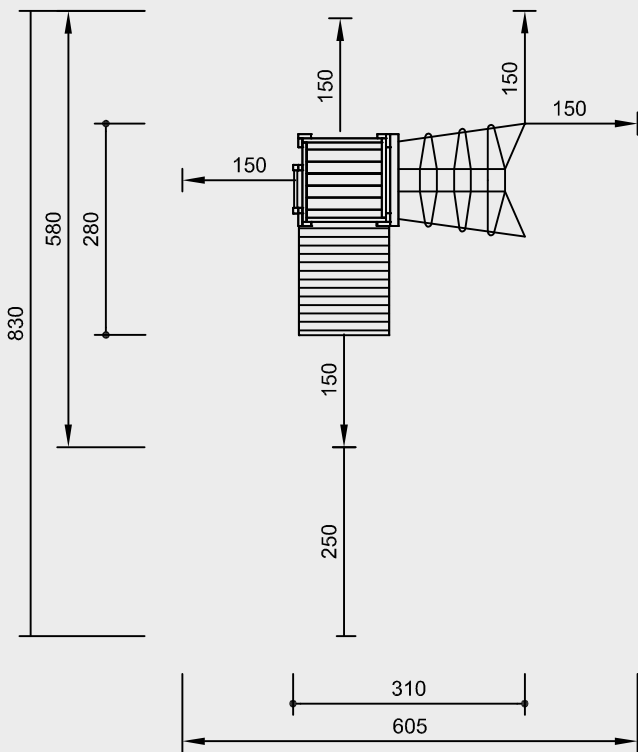
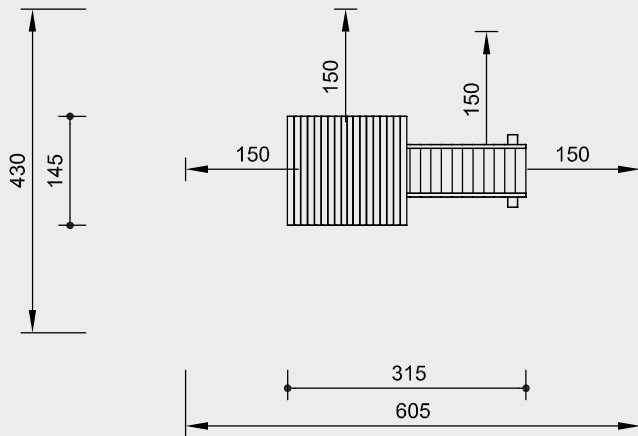


Order No. 2.12120
Hut combination 212

Safety distance 
Device dimensions 
Functional distance 



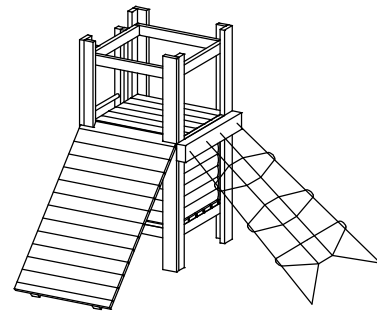
Order No. 2.12131
Hut combination 213
with fittings



Scale 1:100

Safety check according to DIN EN 1176

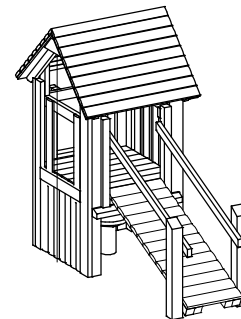
Order No. 2.12120
Hut combination 212



Components

	Order No.
1 Platform Hut with steel feet	3.13100
1 Inclined Climbing Net	3.69120
1 Inclined Wall with steel feet	3.67531

Order No. 2.12131
Hut combination 213
with fittings



Components

	Order No.
1 Small Platform Hut with roof with steel feet, 2 walls, 2 benches and 1 table	3.14350
1 Fall protection	3.13161
1 Climbing Rope	3.69433
1 Bridge 2.00 m	3.66425
1 Support Frame for Bridge	3.66364
1 End Frame for ramps with steel feet	3.66416



2.12120



2.12131